

DEPENDABLE PRODUCT NEWS

TUBELITE®

DEPENDABLE

LEADERS IN ECO-EFFICIENT STOREFRONT,
CURTAINWALL AND ENTRANCE SYSTEMS

Date: **01/13/2012**

Engineering Bulletin: **011201**

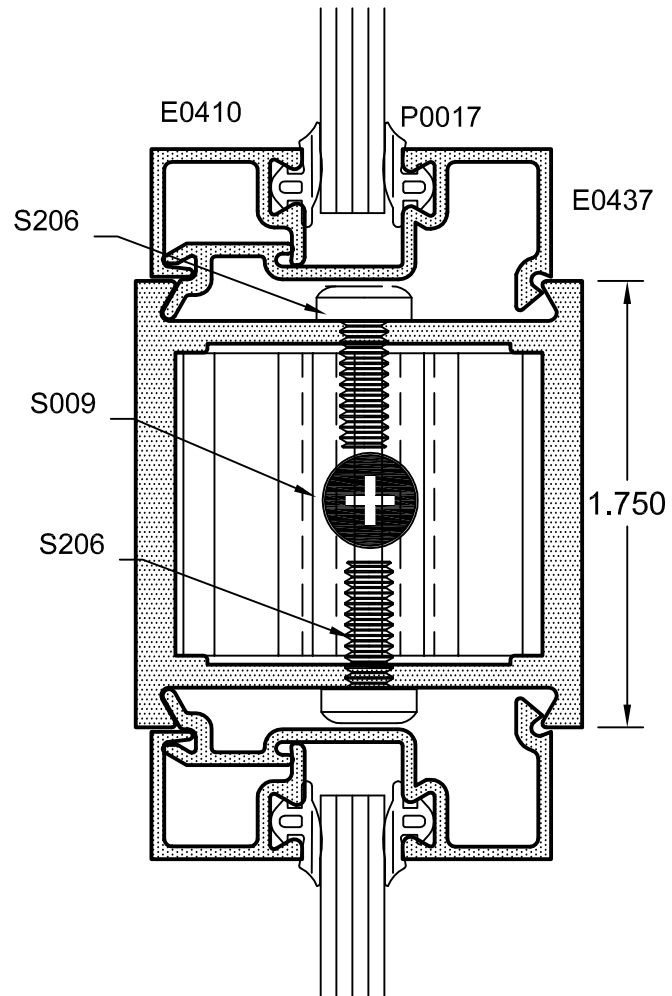
Effective Date: **01/27/2012**

Released By: **T.Trinh**

Subject: **Dove Tail Mid Rail Lugs P0131A-OR - P0131K-OR**

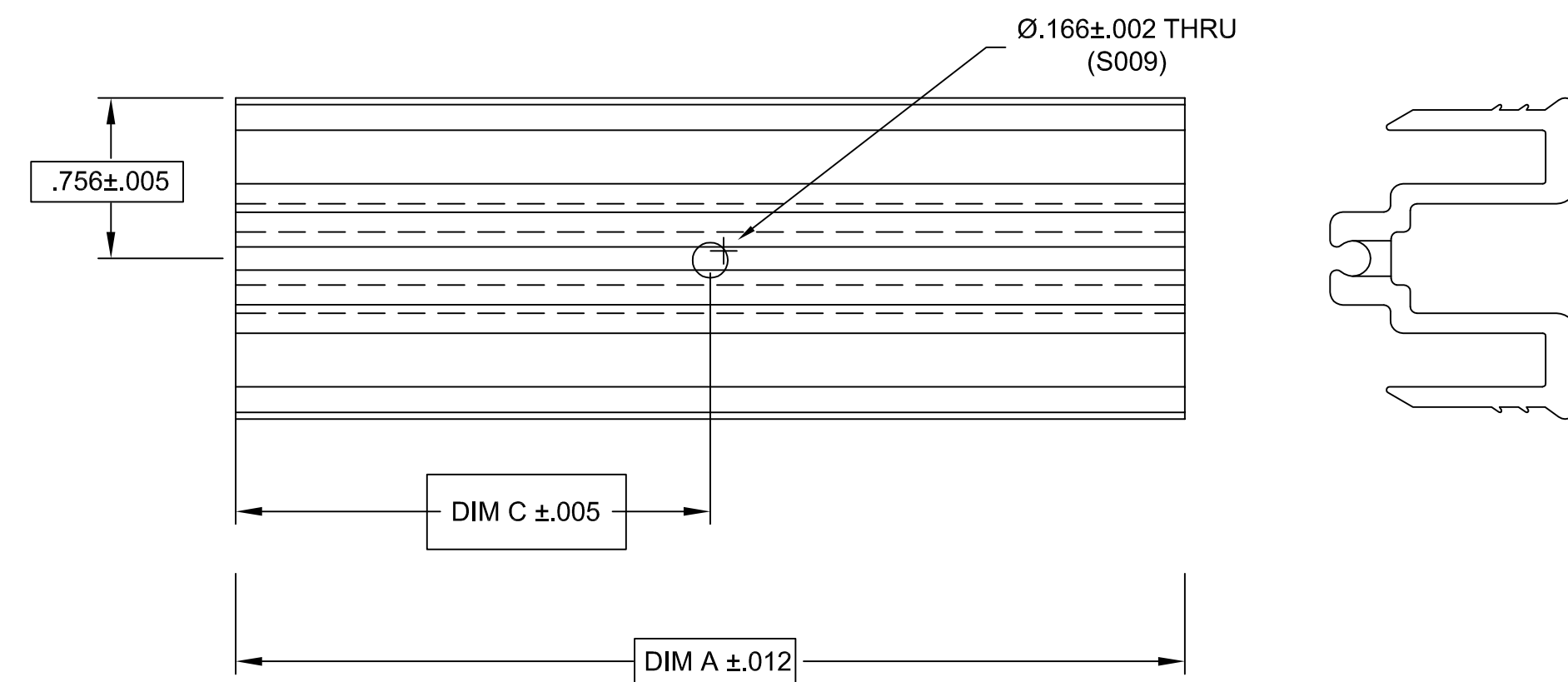
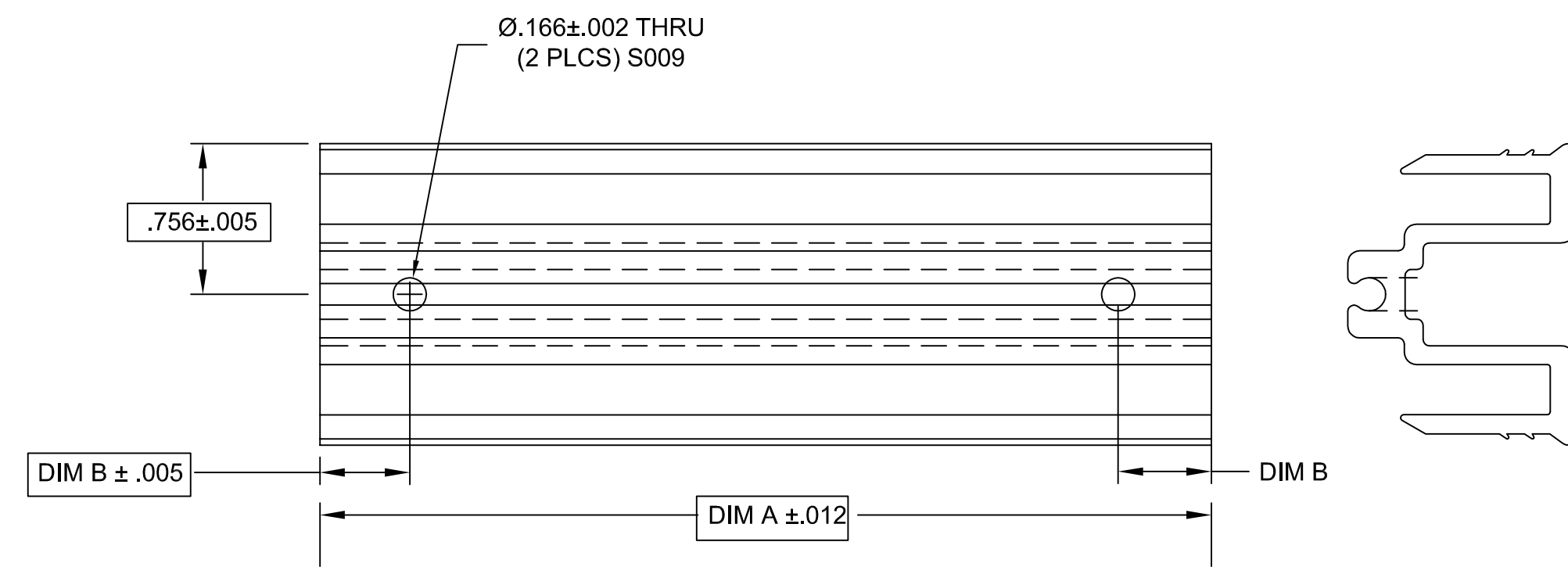
Description: Releasing mid rail lugs to be use for attached dove tail mid rail extrusions. The lugs will replace lugs P0119A-OR - P0119J-OR. These new lugs have screw spline capability to attached to the rails.

Lug P/N	List Price
P 0131 A	11
P 0131 B	10
P 0131 C	9
P 0131 D	12
P 0131 E	11
P 0131 F	10
P 0131 G	10
P 0131 H	10
P 0131 I	9
P 0131 J	9
P 0131 K	9



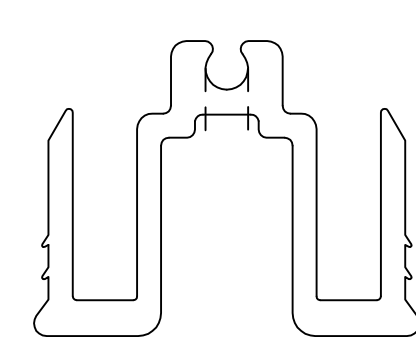
PLEASE SEE NEXT PAGE MORE
INFORMATION.

PART NUMBER	Rail used	DIM A	DIM B	DIM C
P0131A-OR	6" Monumental - E2945	5.254	.500	N/A
P0131B-OR	4 1/2" Monumental - E2944	3.784	.500	N/A
P0131C-OR	3 1/2" Monumental - E2943	2.744	N/A	1.397
P0131D-OR	7 1/2" - E3263	6.918	.500	N/A
P0131E-OR	6" - E3262	5.416	.500	N/A
P0131F-OR	5" - E3258	4.418	.500	N/A
P0131G-OR	4 1/2" - E3261	3.916	.500	N/A
P0131H-OR	4" - E3256	3.418	.500	N/A
P0131I-OR	3" - E3259	2.418	N/A	1.209
P0131J-OR	2 1/8" - E3255	1.543	N/A	.771
P0131K-OR	1 3/4" - E0734	1.186	N/A	.593



Notes

Each rail needs 2 lugs with (2 OR 4) S-009 screws; (4) S-206



MATERIAL - E 0925 Mid Rail Lug Extrusion

ACTUAL SIZE

© 2000 TUBELITE INC. ALL RIGHTS RESERVED
 ALL UNSPECIFIED RADII .015
 * INDICATES .031 RADIUS
 □ DENOTES CRITICAL DIMENSION

TUBELITE
 LEADERS IN ECO-EFFICIENT STOREFRONT CURTAINWALL AND ENTRANCE SYSTEMS

3056 WALKER RIDGE NW, SUITE G
 WALKER, MICHIGAN 49544

**DOVETAIL MID RAIL LUGS -
 NON-THERMAL DOORS**
 PART NUMBERS P0131A - P0131K

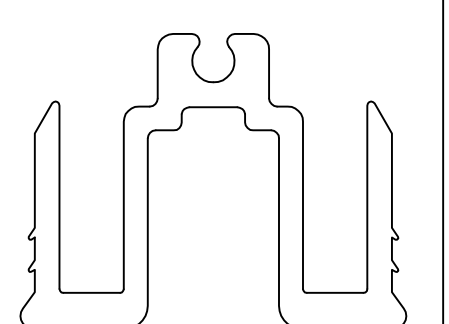
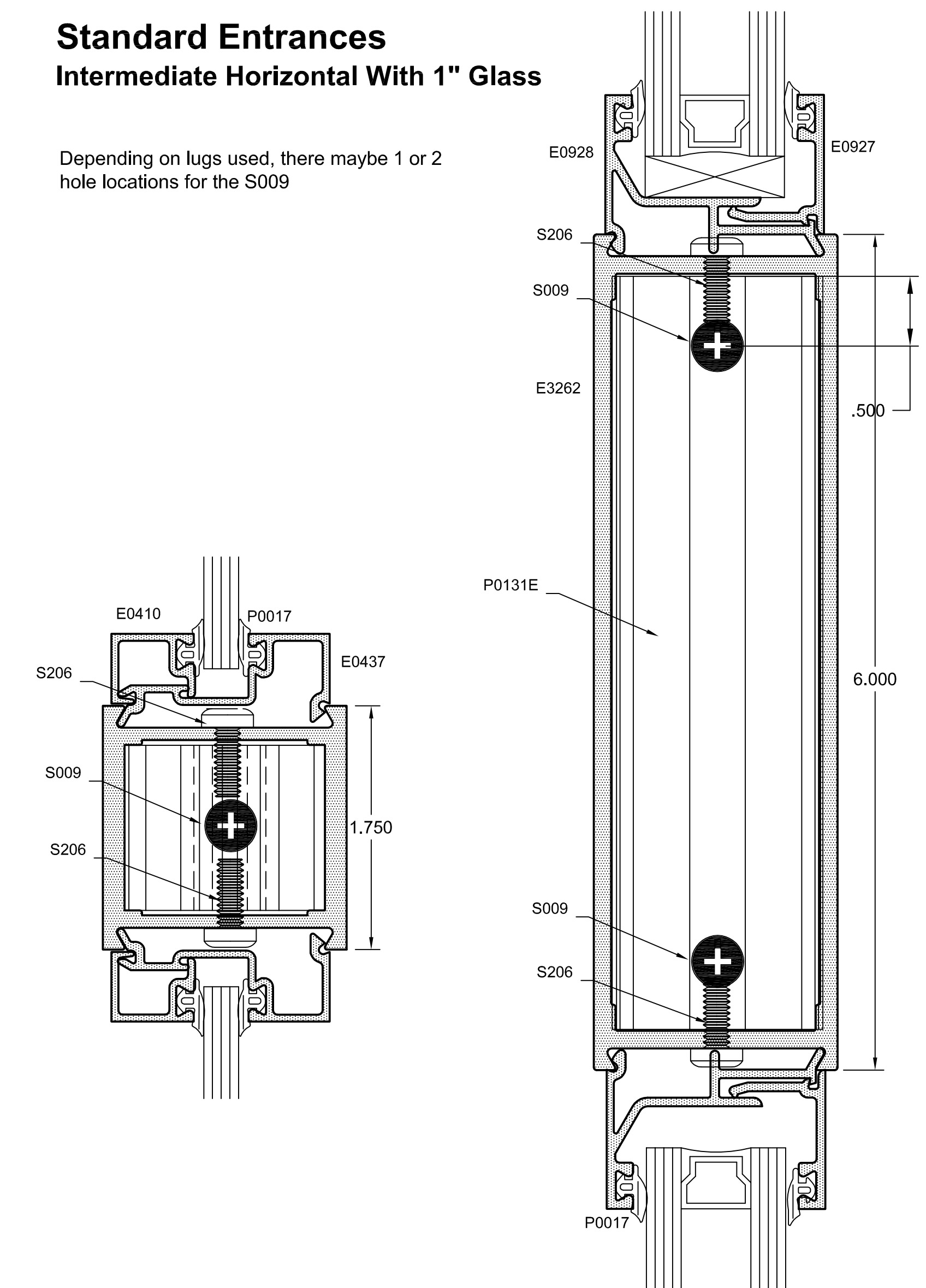
REV	DATE	DESCRIPTION	INTL
A	06/16/11	RLS	TT
B	09/22/11	E0925 WAS E0924	TT

DRAWN BY	TT	DRWG DATE	06/16/2011	APPV'D BY		DATE APPV'D		REV	
DRWG SCALE	N/A	PRODUCT CODE	90		P0131			B	

P0131
B

**Standard Entrances
 Intermediate Horizontal With 1" Glass**

Depending on lugs used, there may be 1 or 2 hole locations for the S009



P0131 A-K