

May 1, 2014

**Standard Pivot and Threshold Changes**

*To: All Tubelite Customers*

**PLEASE MAKE SURE THIS INFORMATION HAS BEEN  
SHARED WITH THE APPROPRIATE INDIVIDUALS  
WITHIN YOUR COMPANY**

As we have previously communicated we have made changes to our standard pivots and thresholds.

As noted in the Engineering Bulletin, the effective date of these changes is Monday May 5<sup>th</sup>.

To provide clear understanding of these changes we are providing a detailed document highlighting the changes, availability of the old items etc.

Please contact your Client Development Manager or your Regional Sales Manager for your specific price changes.

On behalf of all the employees at Tubelite, I would like to thank you for your valued business over the years and continued support.

Yours truly,



Mary Olivier  
*Director of Marketing*

# NEW PIVOT AND NEW THRESHOLD

## **EFFECTIVE DATE:**

- MONDAY MAY 5<sup>th</sup>
- ALL ORDERS entered will default to the new PIVOT (P795)
- ALL ORDERS entered will default to the new THRESHOLD (E2550/TA2550[thermal door])

## **PIVOT DETAILS** (*see pages 2-5 for product information*):

- Old and New pivot are *NOT* interchangeable
- OLD PIVOT (P695) availability:
  - As necessary, fabricated doors and frames using the old pivot can be ordered through July.
  - **NOTE: these order requests MUST indicate the need for the P695.**
  - Individual pivot parts (P695) can be purchased beyond July until further notice
  - We will also have these parts available to honor warranty and replacement needs
- Reminder: offset pivots are not offered for Monumental doors and frames or Standard doors with heavy duty frames

## **INTERMEDIATE PIVOT DETAILS**(*see page 6 for product information*) :

- Old (P751) and New (P795I) intermediate pivot are *NOT* interchangeable
- Fabrication, location and reinforcement all remain the same as current
- Individual intermediate pivot parts (P751) can be purchased beyond July until further notice
- We will also have these parts available to honor warranty and replacement needs

## **THRESHOLD DETAILS**(*see page 7 for product information*) :

- The new THRESHOLD (E2550/TA2550) will be the STANDARD with the exception of a center pivot door which is not changing
- The new threshold cannot be fabricated with the old pivot and vice versa
- A lip has been added to minimize water infiltration
- Individual threshold (E0019) will not be fabricated, however, can be purchased in stock lengths only beyond July
- We will also have these parts available to honor warranty and replacement needs

## **SHIPPING LABEL DETAILS** (*see page 8 for example*):

- Doors and Frames with the new pivot will be identified on the package label as follows:
  - Red ink
  - Red box around the product number
  - Red asterisk on both sides the box

## **INSTALLATION INSTRUCTIONS and STANDARD DETAILS** (*see pages 9,10 for example*):

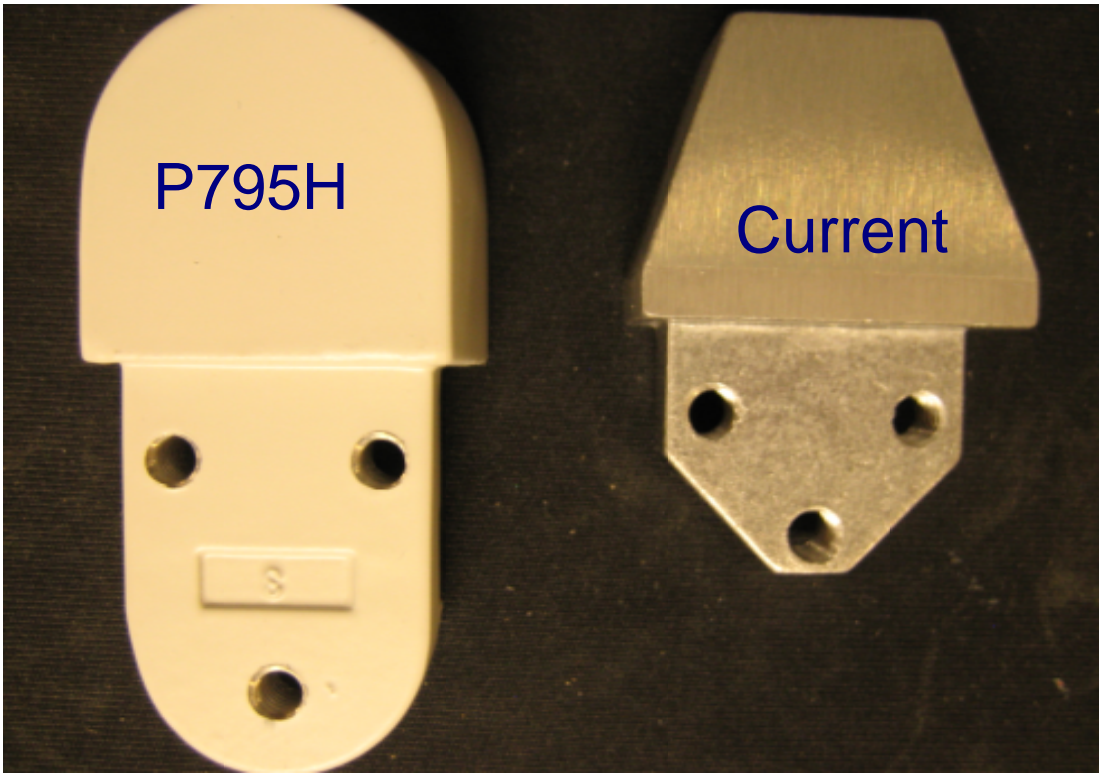
- New standard and thermal entrance instructions will be available on our website

## **PARTS LIST** (*see pages 11 and 12*)

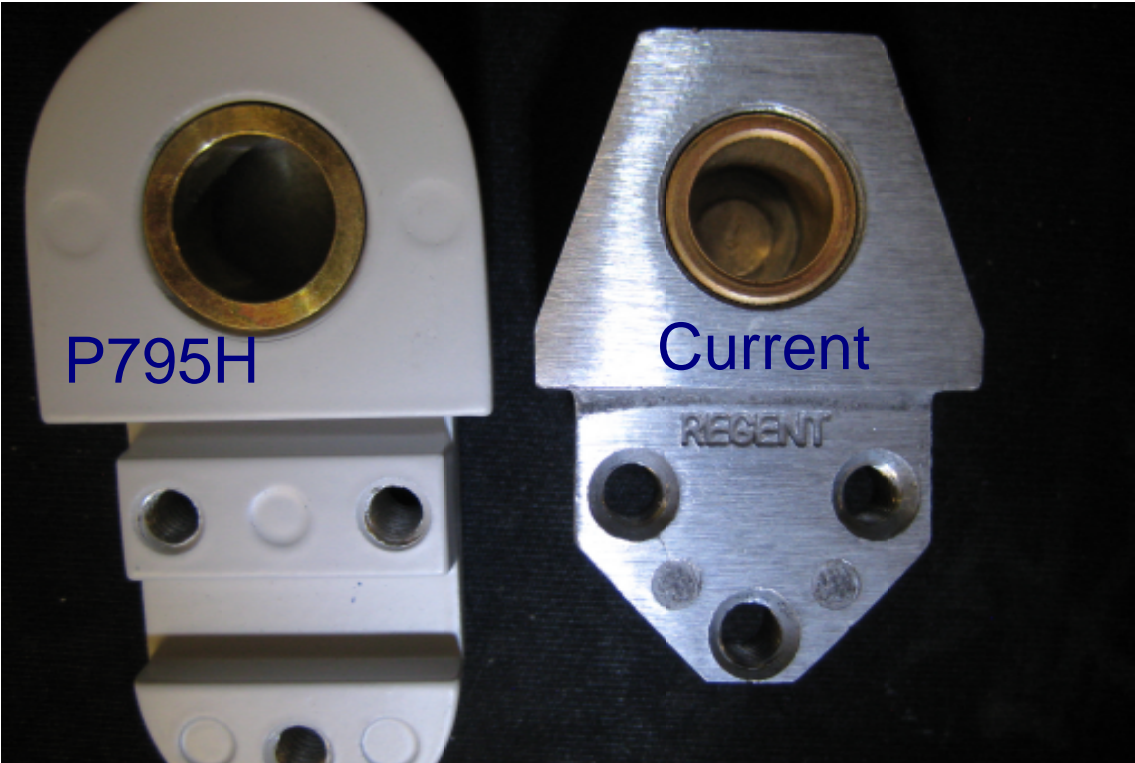


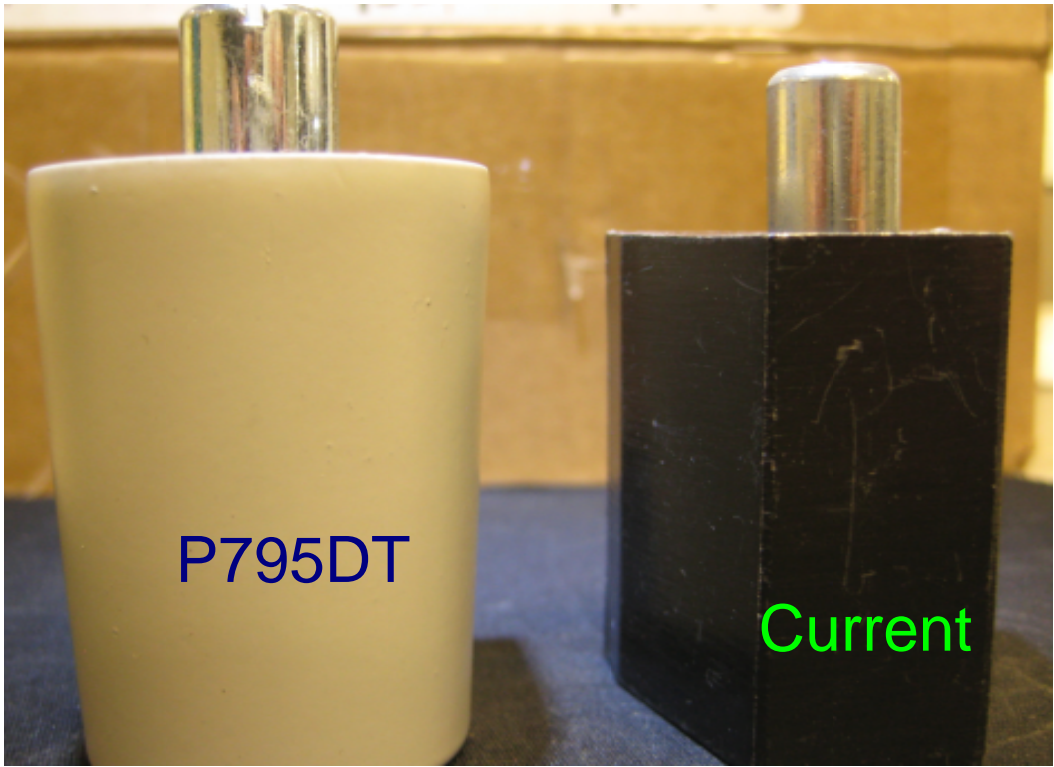
## **New Offset Pivot P795**



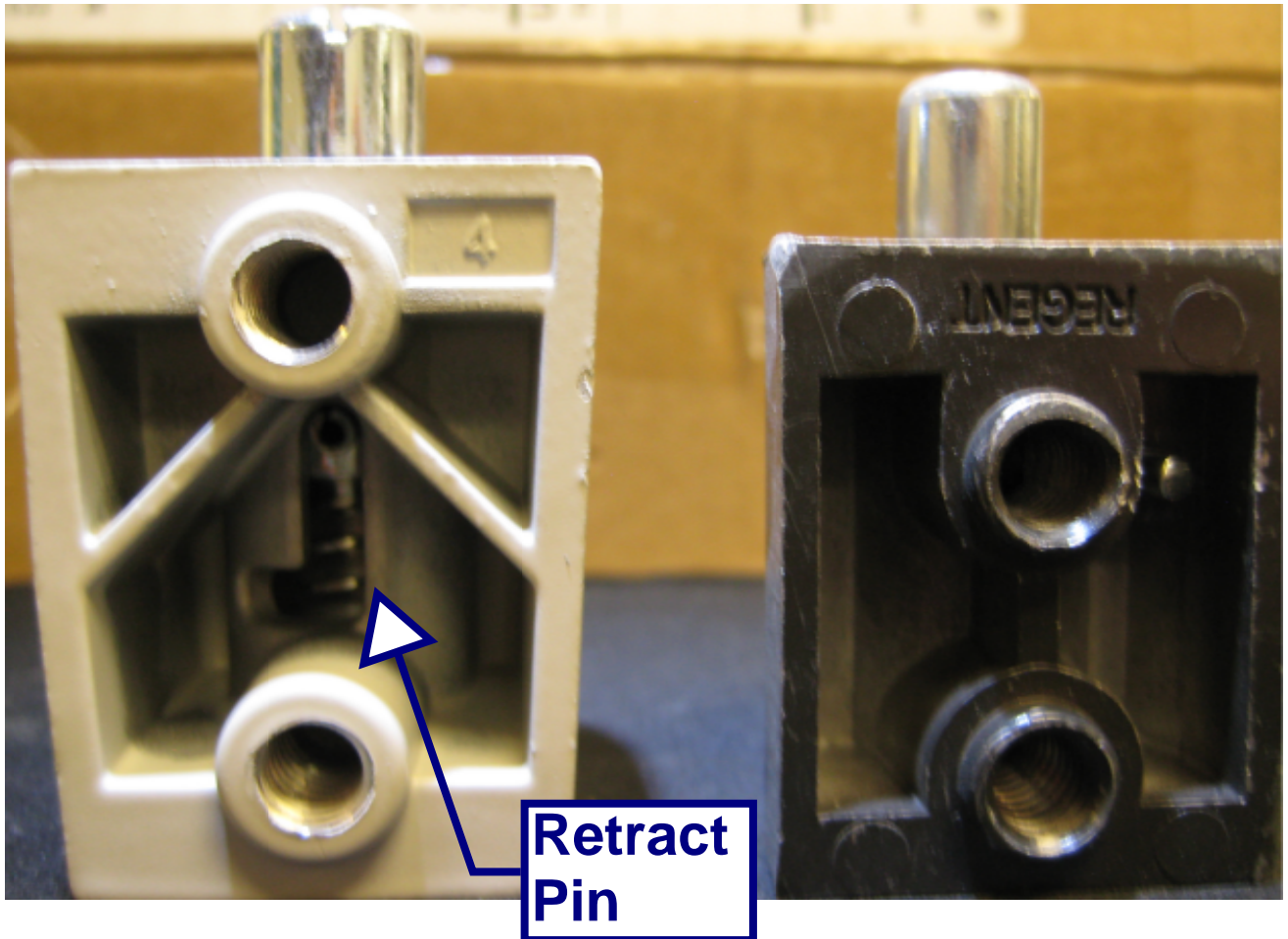


# Header Portion

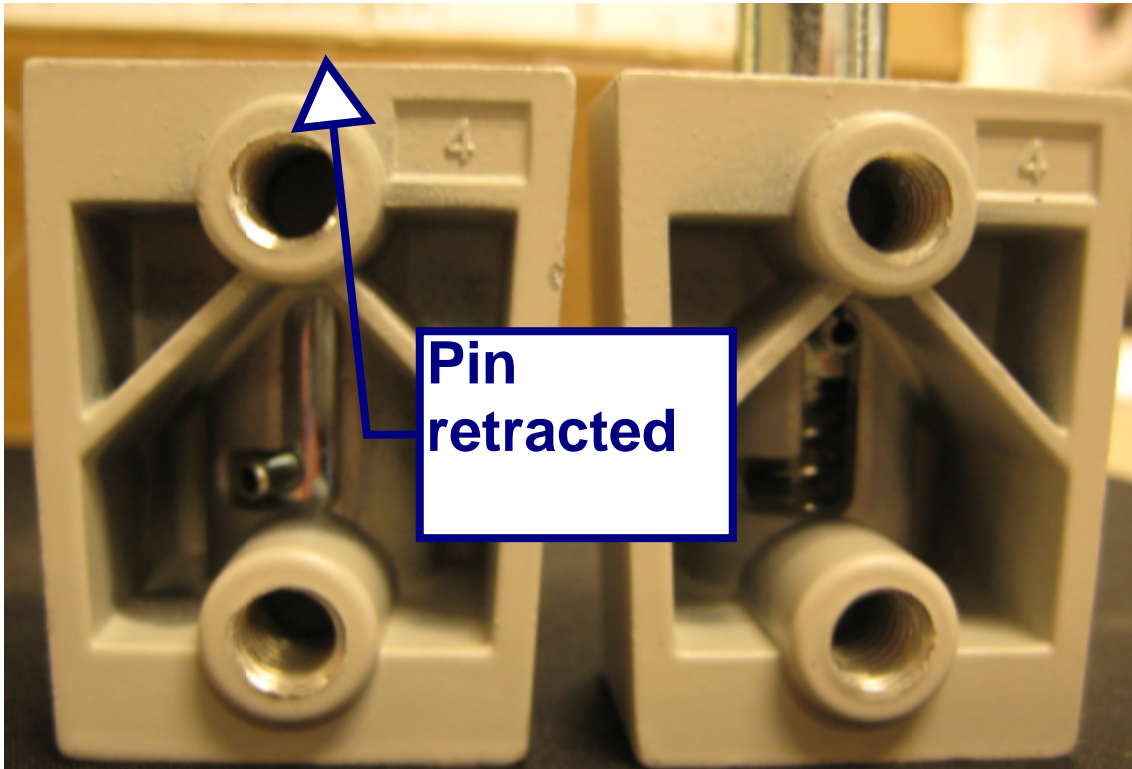




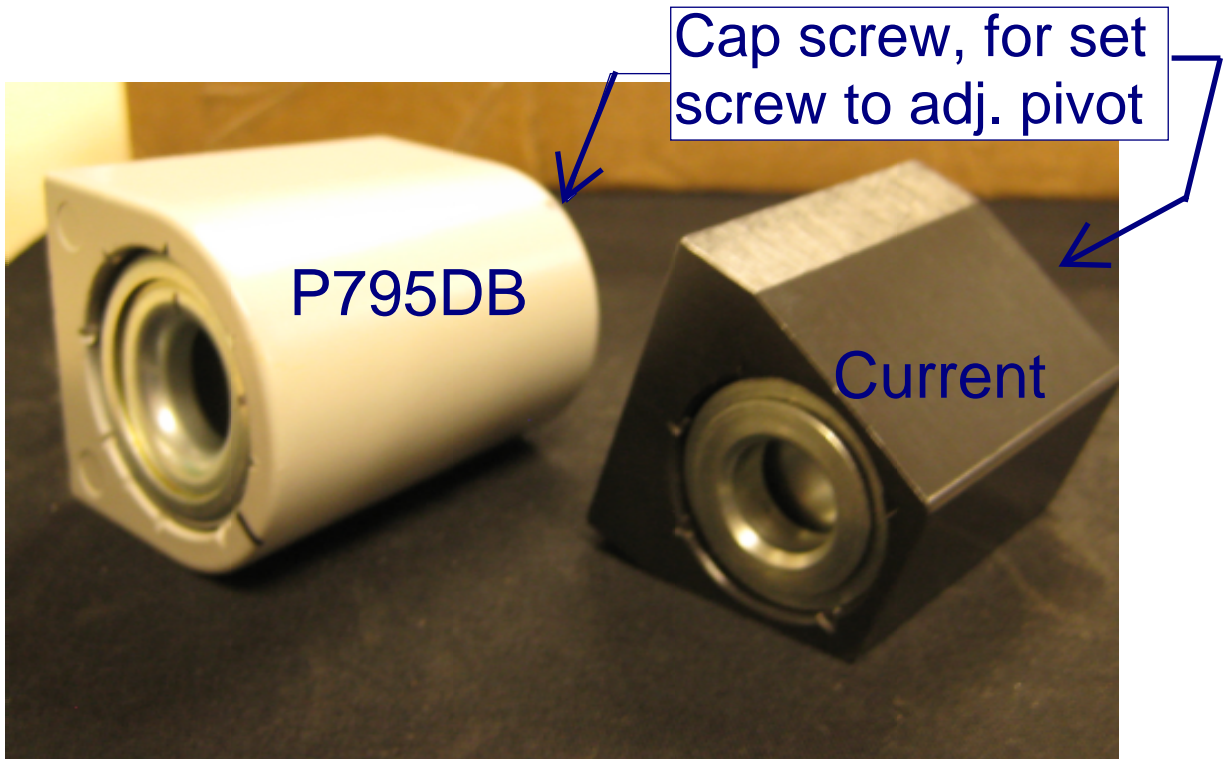
## Top Door Portion



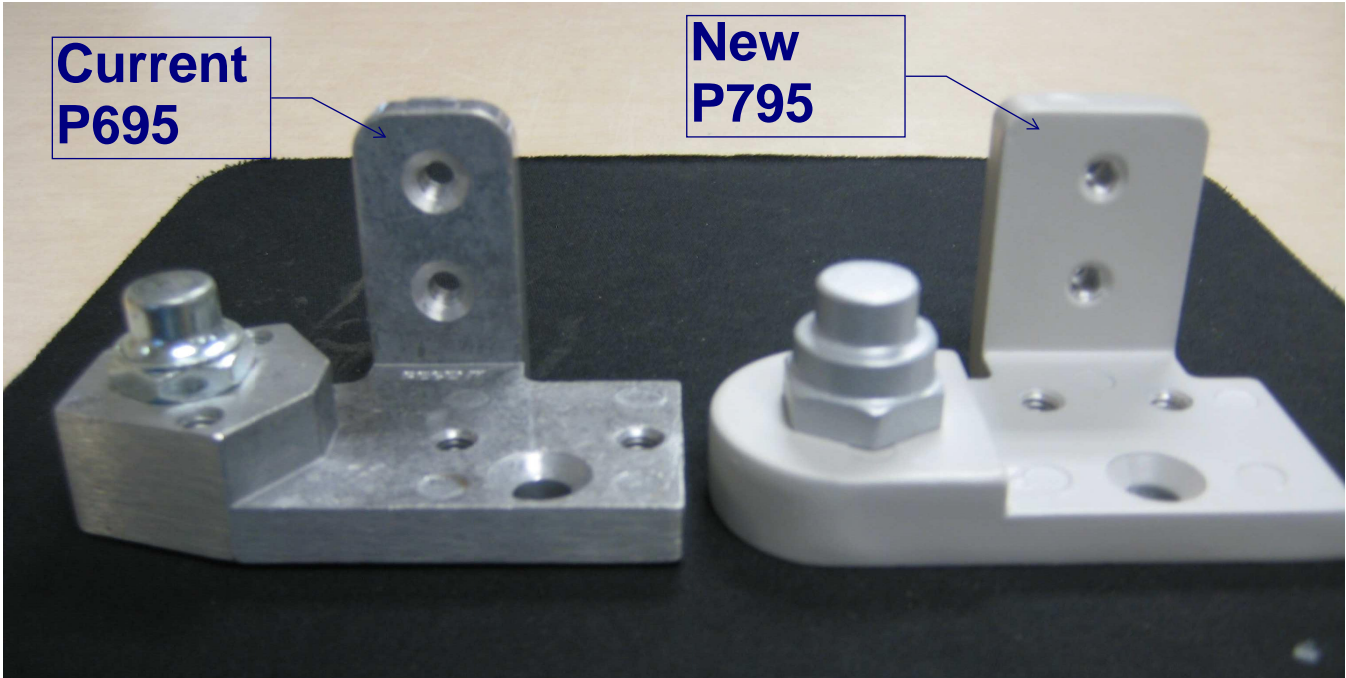




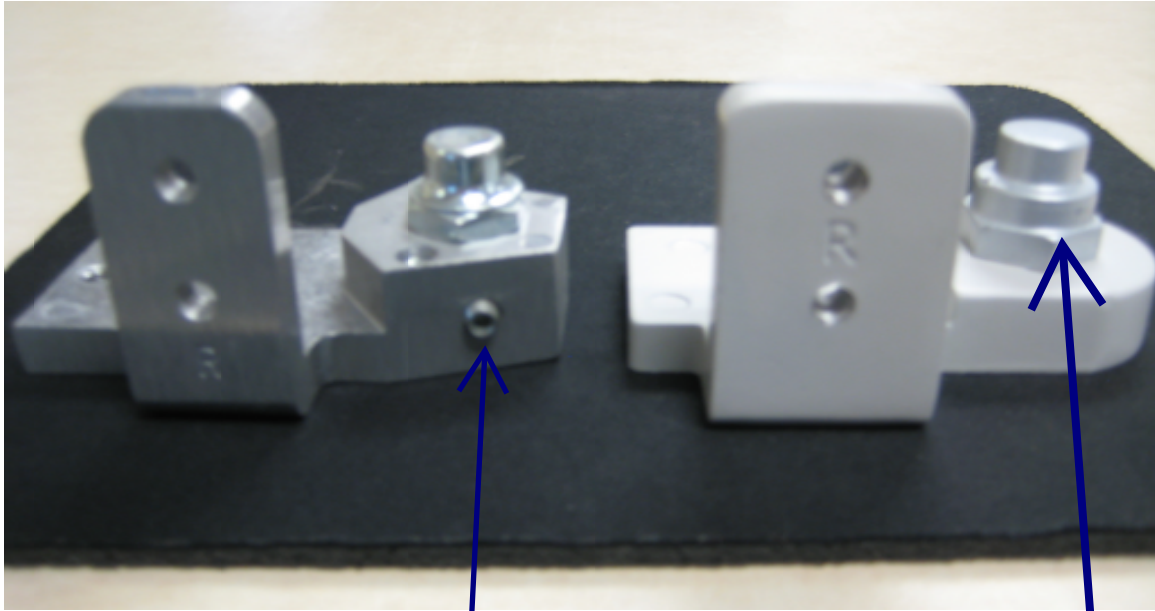
## Top Door Portion P795DT



## Bottom Door Portion

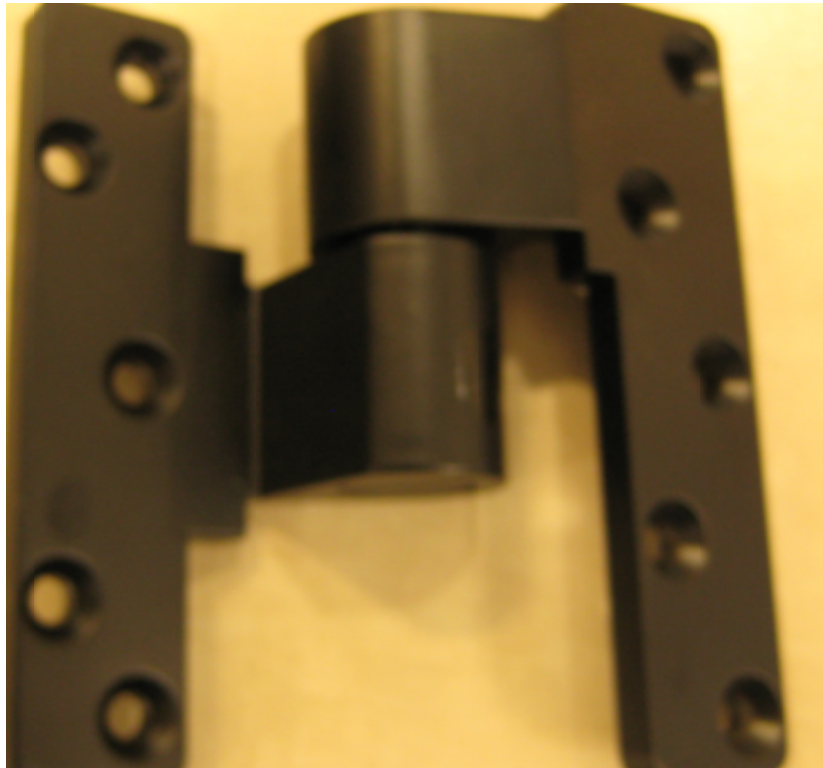


## Bottom Frame Portion



Set screw for stud adjustment

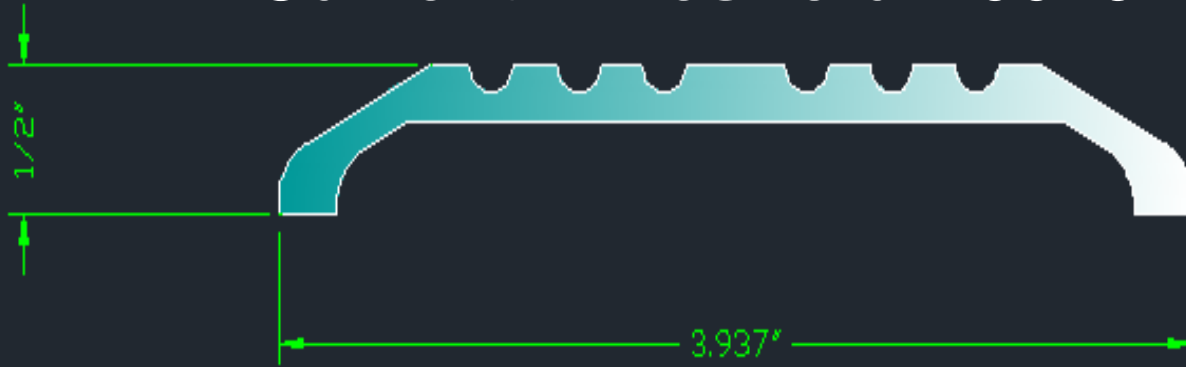
Stud not adjustable



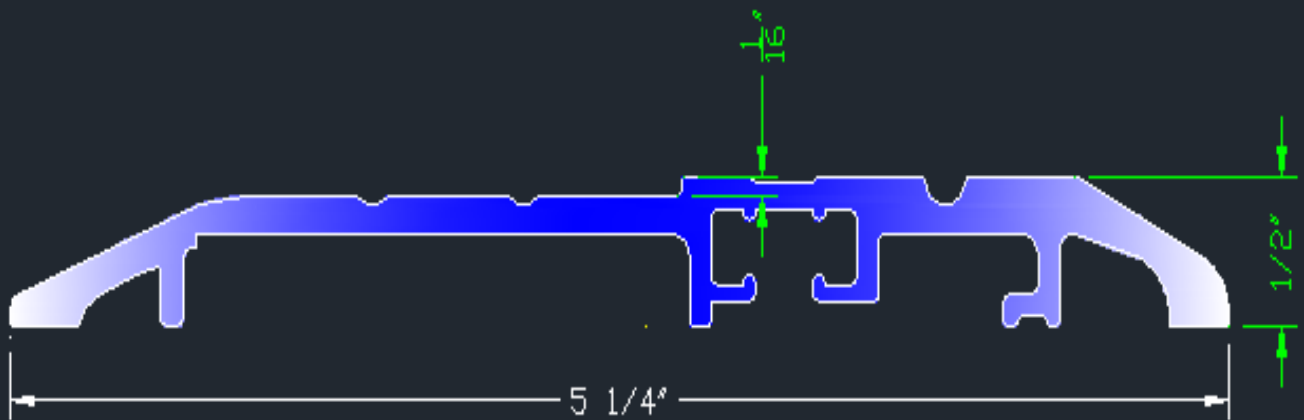
## **New Intermediate Pivot P795I**



## Current Threshold E0019



## New Threshold E2550/TA2550



# SAMPLE OF SHIPPING LABEL

# 191507

**1.00**

SHIP TO: Order 3/5/2014 Promise 3/28/2014 Pack 4/2

## MAIN GLASS & MIRROR

17341 BELL NORTH DRIVE  
SCHERTZ TX 78154

13305

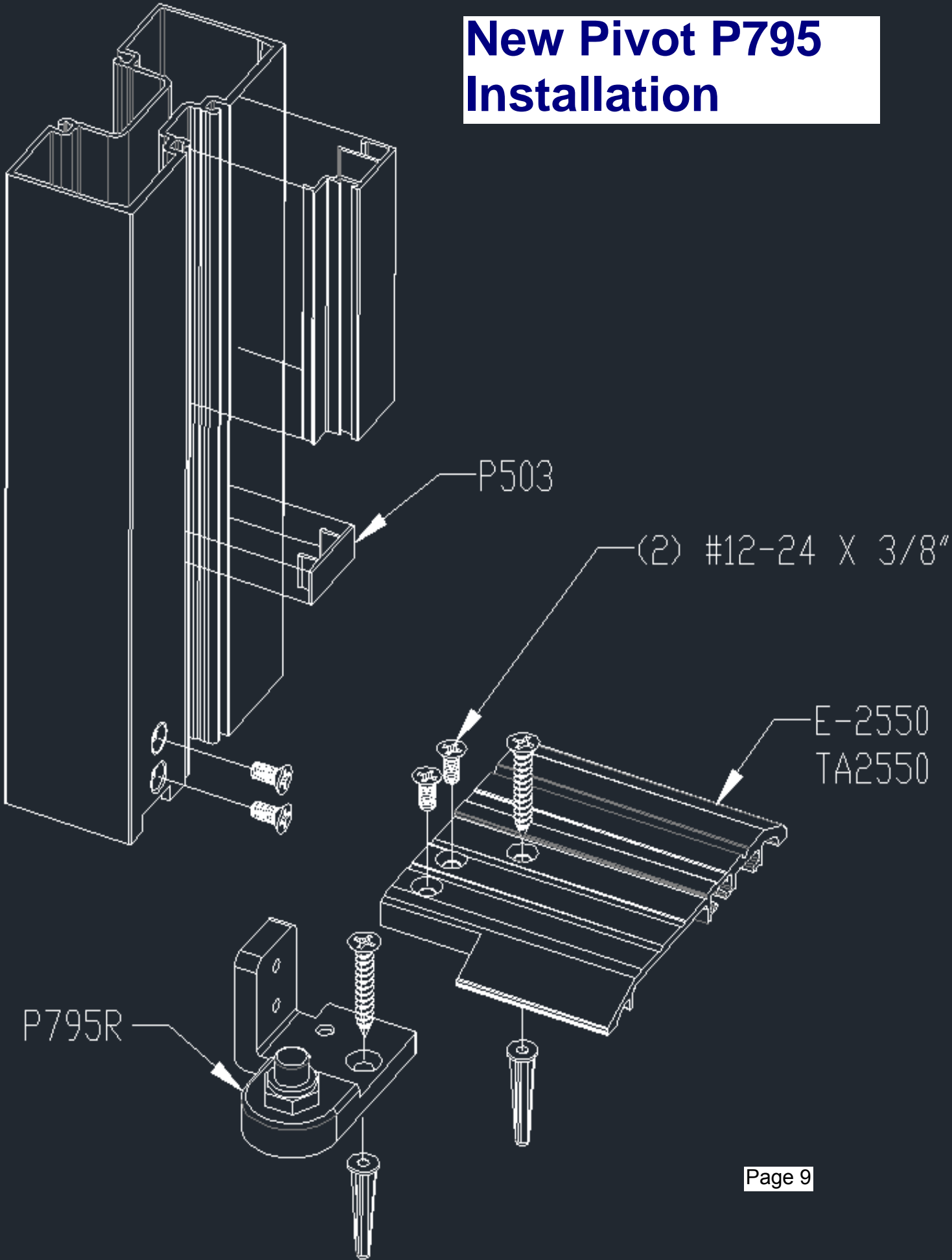
## Mines Road Storage

| BOX#     | PC           | COL |
|----------|--------------|-----|
| 1982650* | <b>D36PR</b> | C2* |



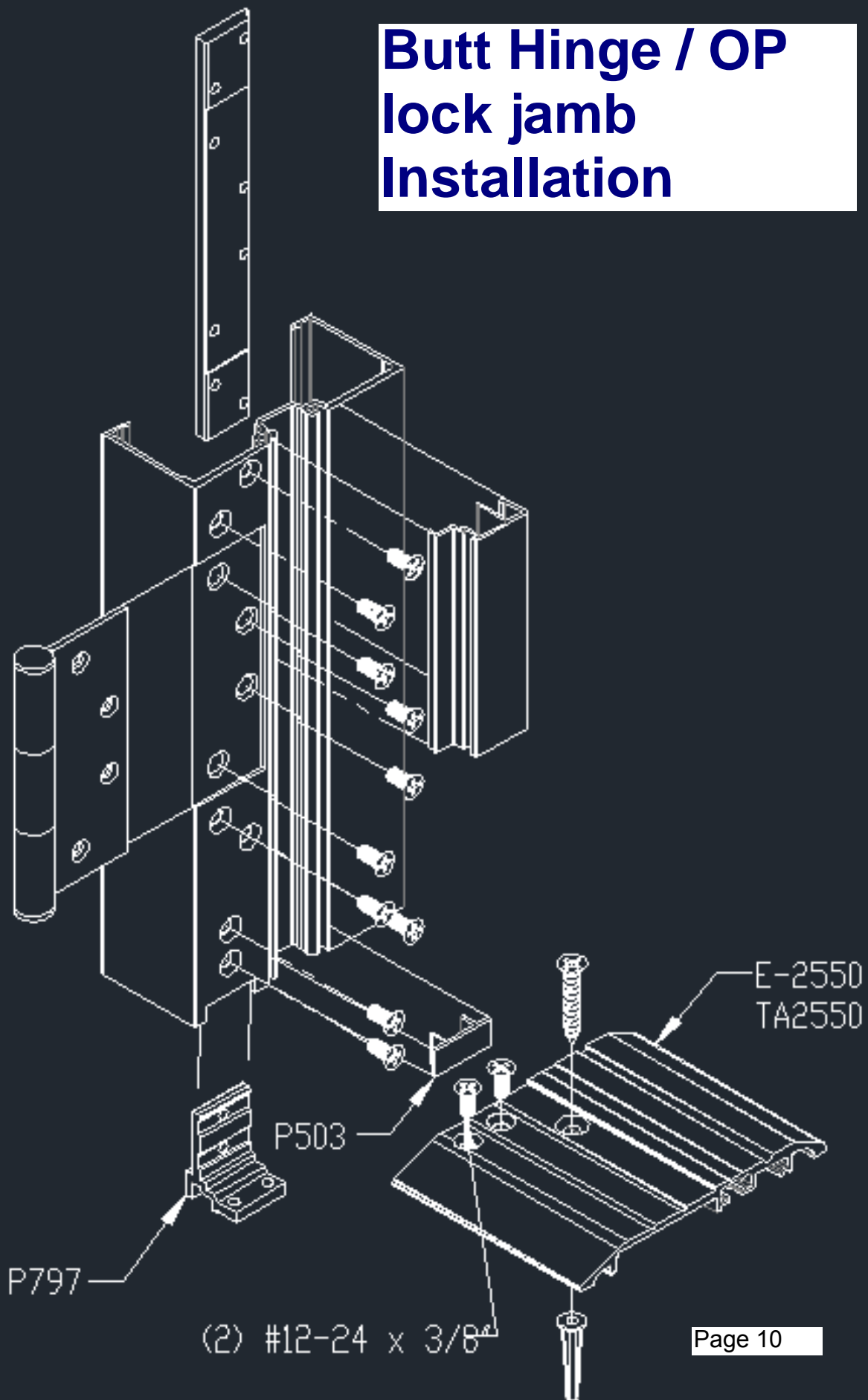
Opening # DOOR #1

# New Pivot P795 Installation





# Butt Hinge / OP lock jamb Installation



## PART CHANGES LIST

| Current P/N                                    | New P/N | Description  | List Price       |
|--|---------|--|------------------|
| <b>OFFSET PIVOTS</b>                           |         |  |                  |
| P695A  | P795H   | Pivot Frame Header   | \$12.00          |
| P695D  | P795DT  | Pivot Top Door   | \$13.00          |
| P695E  | P795DB  | Pivot Bottom Door  | \$21.00          |
| P695L  | P795L   | Pivot Bottom Left hand frame                                   | \$19.00          |
| P695R  | P795R   | Pivot Bottom Right hand frame                                  | \$19.00          |
| <b>OFFSET INTERMEDIATE PIVOTS</b>              |         |  |                  |
| P751L  | P795IL  | Intermediate Left Hand set                                     | \$103.00         |
| P751R  | P795IR  | Intermediate Right Hand Set                                    | \$103.00         |
| <b>THRESHOLD EXTRUSION</b>                     |         |  |                  |
| E0019  | E2550   | Non thermal threshold  | \$155.00 SL      |
| TA6250   | TA2550  | Thermal threshold  | \$233.00 SL      |
| <b>ACCESSORIES</b>                             |         |  |                  |
| P679   | P797    | STD threshold clip   | \$155.00 (PK-50) |
| P679HD   | P797HD  | Threshold Clip - HD  | \$9.00           |
| P1371  | P2240   | Frame kits: 14000 non transom                                  | \$17.0000        |
| P1371HD  | P2240HD | Frame kits: 14000 non transom, Heavy Duty Jambs                | \$33.00          |
| P1374  | P2245   | Frame kits: OP Pairs , 4500 Non Transom                        | \$10.0000        |
| P1375  | P2250   | Frame kits: OP pairs, 4500 transom                             | \$15.0000        |
| P1379  | P2260   | Frame kits: OPsingle, 4500 transom                             | \$17.0000        |
| P3080  | P2270   | Frame kits: 14000 transom                                      | \$25.0000        |
| P3080HD  | P2270HD | Frame kits: 14000 Heavy Wall jambs, transom                    | \$38.0000        |
| P3087  | P2280   | Frame kit: 4500 Transom  | \$22.0000        |
| P3087HD  | P2280HD | Frame kit: 4500 Transom Heavy Wall jambs                       | \$38.0000        |
| P3086A   | P2285   | Frame Kit: OP Pairs, 14000 Transom                             | \$16.00          |
| N/A  | P2290   | Frame Kit: I/O, 14650, thermal frame, TU24000 OP PAIRS Transom | \$16.0000        |
| N/A  | P2295   | Frame kit: I/O, 14650, thermal frame, TU24000 Transom          | \$29.0000        |
| <b>Floor Anchor Kits - Fix center mullions</b> |         |  |                  |
| P0118A   | P218A   | Floor Anchor kit - use with E0041                              | \$40.0000        |
| P0118B   | P218B   | Floor Anchor kit - use with E0133                              | \$47.0000        |
| P0118C   | P218C   | Floor Anchor kit - use with E1451                              | \$40.0000        |
| P0118D   | P218D   | Floor Anchor kit - use with E4500                              | \$37.0000        |
| P0118E   | P218E   | Floor Anchor kit - use with E4552                              | \$70.0000        |
| P0118F   | P218F   | Floor Anchor kit - use with E14145                             | \$34.0000        |
| P0118G   | P218G   | Floor Anchor kit - use with E14245                             | \$49.0000        |
| P0118H   | P218H   | Floor Anchor kit - use with E45009                             | \$58.0000        |
| P0118I   | P218I   | Floor Anchor kit - use with E14624                             | \$38.0000        |
| P0118J   | P218J   | Floor Anchor kit - use with E14021                             | \$45.0000        |
| P0118K   | P218K   | Floor Anchor kit - use with A624142                            | \$56.0000        |
| P0118L   | P218L   | Floor Anchor kit - use with A624545                            | \$28.0000        |
| P462   | P577    | Shim for Bottom of Auto Showroom Dr                            | \$30.0000        |

## PART CHANGES LIST

| Current P/N                   | New P/N      | Description        | List Price |
|-------------------------------|--------------|--------------------|------------|
| <b>THRESHOLD</b>              |              |                    |            |
| X = Non-thermal; XT = Thermal |              |                    |            |
| X36-0R                        | X36A-0R      | Butt Hung          | \$38.000   |
| X36EDL-0R                     | X36AEDL-0R   | Panic Butt hung    | \$43.000   |
| X36EDR-0R                     | X36AEDR-0R   | Panic Butt hung    | \$43.000   |
| X36PEDL-0R                    | X36OPEDL-0R, | Panic Offset pivot | \$43.000   |
| X36PEDR-0R                    | X36OPEDR-0R  | Panic Offset pivot | \$43.000   |
| X36PL-0R                      | X36OPL-0R    | Offset Pivot       | \$43.000   |
| X36PR-0R                      | X36OPR-0R    | Offset Pivot       | \$43.000   |
|                               |              |                    |            |
| X42-0R                        | X42A         | Butt Hung          | \$43.000   |
| X42EDL-0R                     | X42AEDL-0R   | Panic Butt hung    | \$47.000   |
| X42EDR-0R                     | X42AEDR-0R   | Panic Butt hung    | \$47.000   |
| X42PEDL-0R                    | X42OPEDL-0R  | Panic Offset pivot | \$48.000   |
| X42PEDR-0R                    | X42OPEDL-0R  | Panic Offset pivot | \$48.000   |
| X42PL-0R                      | X42OPL-0R    | Offset Pivot       | \$47.000   |
| X42PR-0R                      | X42OPR-0R    | Offset Pivot       | \$47.000   |
|                               |              |                    |            |
| X48                           | X48A         | Butt Hung          | \$57.000   |
| X48EDL                        | X48AEDL      | Panic Butt hung    | \$62.000   |
| X48EDR                        | X48AEDR      | Panic Butt hung    | \$62.000   |
| X48PEDL                       | X48OPEDL     | Panic Offset pivot | \$63.000   |
| X48PEDR                       | X48OPEDR     | Panic Offset pivot | \$63.000   |
|                               |              |                    |            |
| X72-OR                        | X72K-0R      | Butt hung          | \$70.000   |
| X72AB                         | X72KB        | Blank              |            |
| X72ED                         | X72KED       | CVR                | \$77.000   |
| X72RD                         | X72KRD       | RIM                | \$77.000   |
| X72PED                        | X72OPED      | Panic Offset pivot | \$82.000   |
| X72PRD                        | X72OPRD      | Panic Offset pivot | \$82.000   |
| X72P                          | X72OP        | Offset Pivot       | \$81.000   |
|                               |              |                    |            |