

# DEPENDABLE PRODUCT NEWS

**TUBELITE®**  
DEPENDABLE

LEADERS IN ECO-EFFICIENT STOREFRONT,  
CURTAINWALL AND ENTRANCE SYSTEMS

Engineering Bulletin: **ECR00173**

Communication Date: **2/14/2020**

Effective Date: **4/10/2020**

Released By: **Greg Hall**

Systems Affected: **400SS**

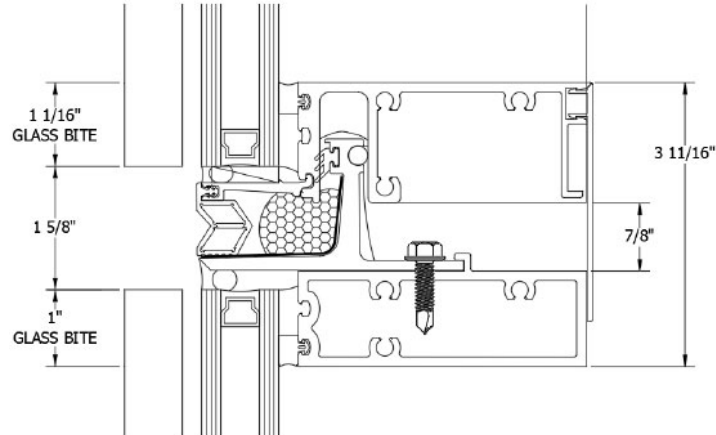
Subject: **400SS Product Enhancements**

We have recently completed updates to the 400SS Curtain Wall.

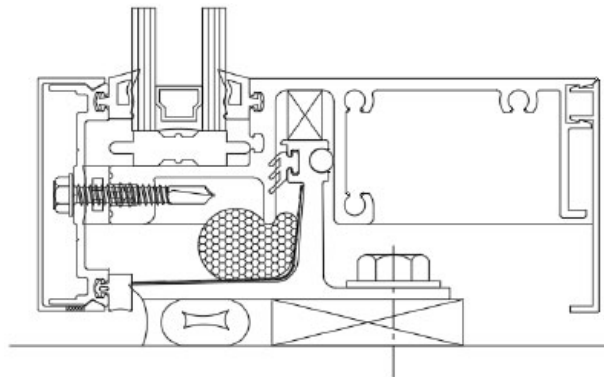
All parts are in JDE, EZ Estimate and Glazier Studio. Online price book, details and installation instructions will be live on the effective date noted above.

Below is a list of the enhancements:

**SSG EXPANSION HORIZONTAL** - SSG glazing with a continuous rainscreen gasket, 1-1/2" reveal for +/-1/2" expansion.

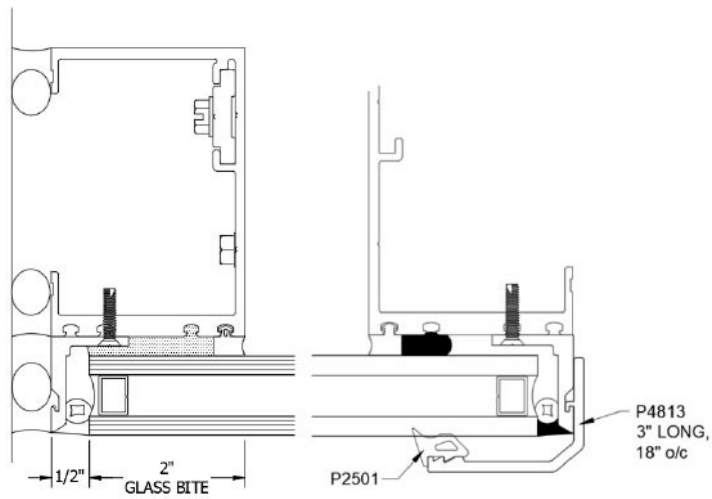


**STARTER SILL** - Allows for quick installation of units with a continuous chicken head at the sill.



**SSG PERIMETER** - Two options: Glass-to-edge & an applied 7/8" tube.

**GLASS-TO-EDGE**



**TEMPORARY SSG RETAINER CLIP** - P4813 integrates with E4212 edge trim to temp the glass during cure.

**7/8" TUBE**

